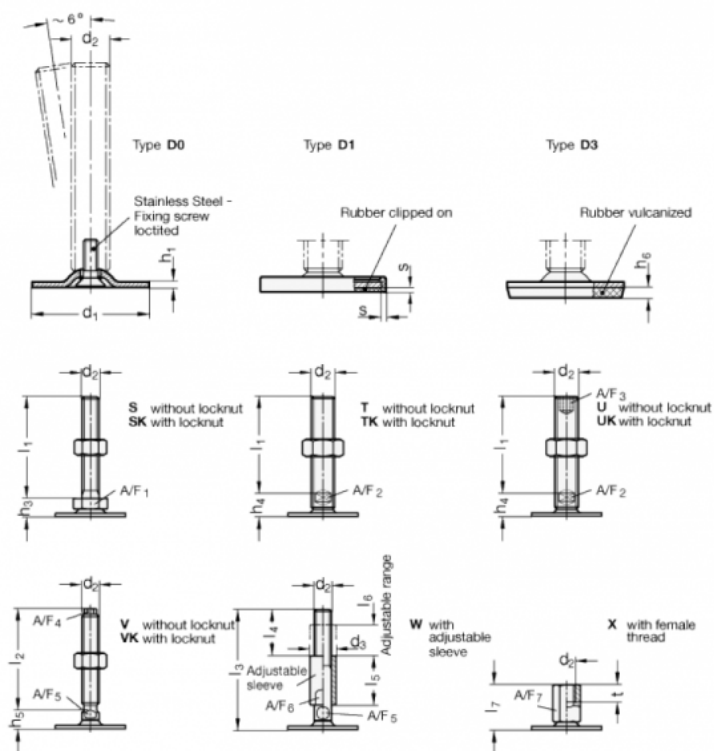


Article number: 204140M16200D1T
 Description: E+G levelling foot
 GN 41-40-M16-200-D1-T
 Note: T Without nut, Wrench flat at the bottom

Measures



- A/F2 = 12
- d1 = 40
- d2 = M16
- h1 = 2
- h4 = 17
- h6 =
- l1 = 200
- s = 1.5